

SPECIFICATIONS

技术规格说明书

TABLE OF CONTENTS

目录

1. SCOPE 概述
2. SPECIFICATION NUMBER 规格书编号
3. ENVIRONMENTAL REQUIREMENTS 环境要求
4. INPUT REQUIREMENTS 输入要求
5. INTRODUCTION 产品简介
6. DC INSULATION RESISTANCE DC 绝缘阻抗
7. DIELECTRIC WITHSTAND-VOLTAGE 击穿耐压
8. MAIN FUSE 主要保险物质
9. INRUSH CURRENT 瞬间冲击电流
10. TIME SEQUENCE 开关时间曲线
11. EFFICIENCY 效率
12. SAFETY/EMC STANDARD 安全标准,EMC 标准
13. OUTPUT RATED & ELECTRICAL SPECIFICATIONS 额定输出和电气指标
14. OUTLOOK DRAWING 外观图
15. SCHEMETIC DIAGRAM 原理图
16. LABEL 铭牌贴纸
17. PACKING 包装图示
18. SAMPLES TEST REPORT 样品测试报告

1. SCOPE

概述

This document details the electrical, mechanical and environmental specifications of a **100VAC-240VAC** input, **one** output, Voltage **+12V**, rated Current **1.0A** switching adaptor.

该文件详细说明了相关开关电源的电子.机械及环境使用说明

2. SPECIFICATION NUMBER

规格书编号

FU JIA Part.No : **FJ130417**

Customer part number:

客户编号

3. ENVIRONMENTAL REQUIREMENTS

环境要求

Operating temperature: 0°C -- +40°C

操作温度

Storage temperature : -10°C -- +55°C

储存温度

Operating humidity : 30% -- 95%

操作湿度

Storage humidity : 30% --98%

储存湿度

Operating bar : 1BAR

操作气压

4. INPUT REQUIREMENTS

输入要求

Regular input voltage: AC 100 –AC 240V

稳定输入电压

Variable input voltage range : AC 90V—AC264V

可变输入电压范围

Rating frequency : 50Hz—60Hz

额定频率

Frequency range : 47Hz—63Hz

频率范围

Input current : 0.45A Arms MAX (at regular voltage & current)

输入电流(在稳定输入电压电流下)

5. INTRODUCTION

简介

The S.M.P.S operated at input regular voltage AC 100V – 240V

该开关式电源工作的电压范围

The S.M.P.S should be capable of a total continuous DC power output of 24 Watts.

该开关式电源的连续输出功率

The S.M.P.S should be capable of a total peak 35 Watts.

该开关式电源的峰值输出功率

The S.M.P.S should be able to single output only. Refer output rated & electrical specifications

table 该开关式电源只提供单路输出, 详见额定输出及电气参数表

The S.M.P.S should not be fired or emitted smoke by protection when the circuit is short.

该开关式电源当内电路短路时不会产生火灾或湮雾

The S.M.P.S work with short circuit protection and overload protection

该开关式电源带有输出短路和过载保护

The S.M.P.S extra small power consumption during stand by mode.

该开关式电源在备用情况下耗电极少

6. DC INSULATION RESISTANCE

DC 绝缘阻抗

Input – Output :50MΩ minimum (at 500VDC)

输入—输出

Input – Body Metal : 50MΩ minimum (at 500VDC)

输入—人体触及点

7. DIELECTRIC WITHSTAND - VOLTAGE

击穿耐压

Input – Output : 3000VAC minimum (1min)

输入—输出

Input – Body Metal : 3000VAC minimum (1min)

输入—人体触及点

8. MAIN FUSE

主要保险物质

Input fuse is 2A/250V fuse with UL listed.

输入采用的保险丝

9. INRUSH CURRENT

瞬间冲击电流

Peak inrush current shall be limited to 20A for a cold start

在冷启动时峰值冲击电流限制在 20A 以内

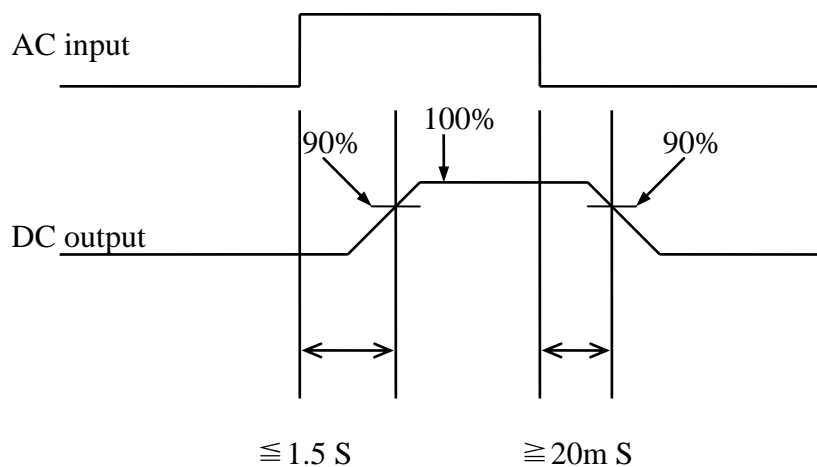
10. TIME SEQUENCE

开关时间曲线

Time sequence should be satisfied to power ON/OFF

时间顺序符合下列曲线

AC switch at ON/OFF

**11. EFFICIENCY**

效率

The efficiency of the S.M.P.S must be satisfied the minimum 78%.

该开关式电源的效率不少于 78%

12. SAFETY / EMC STANDARD

安全标准/ EMC 标准

LVD---GS/DIN EN 60065.2002, EN60950-1

EMC---EN55022/EN55024/GB9254-1998 (CISPR 22)

13. OUTPUT RATED & ELECTRICAL SPECIFICATIONS

额定输出和电气指标

Rated output voltage -----12V

额定输出电压

Rated output current -----1000mA

额定输出电流

Max. output voltage -----12.7V dc (no load)

最大输出电压

Min. output voltage-----11.5V dc (Io=2000mA)

最小输出电压

Ripple & Noise-----150mVp-p Max

纹波

Over load protection-----YES

过载保护

Short circuit protection-----YES

输出短路保护

Rated output power-----24W

额定输出功率

Line regulation-----+/-3%

线性调整率

Load regulation-----+/-2%

负载调整率

Switch frequency-----110KHz Max.

开关频率

Insulation class-----II

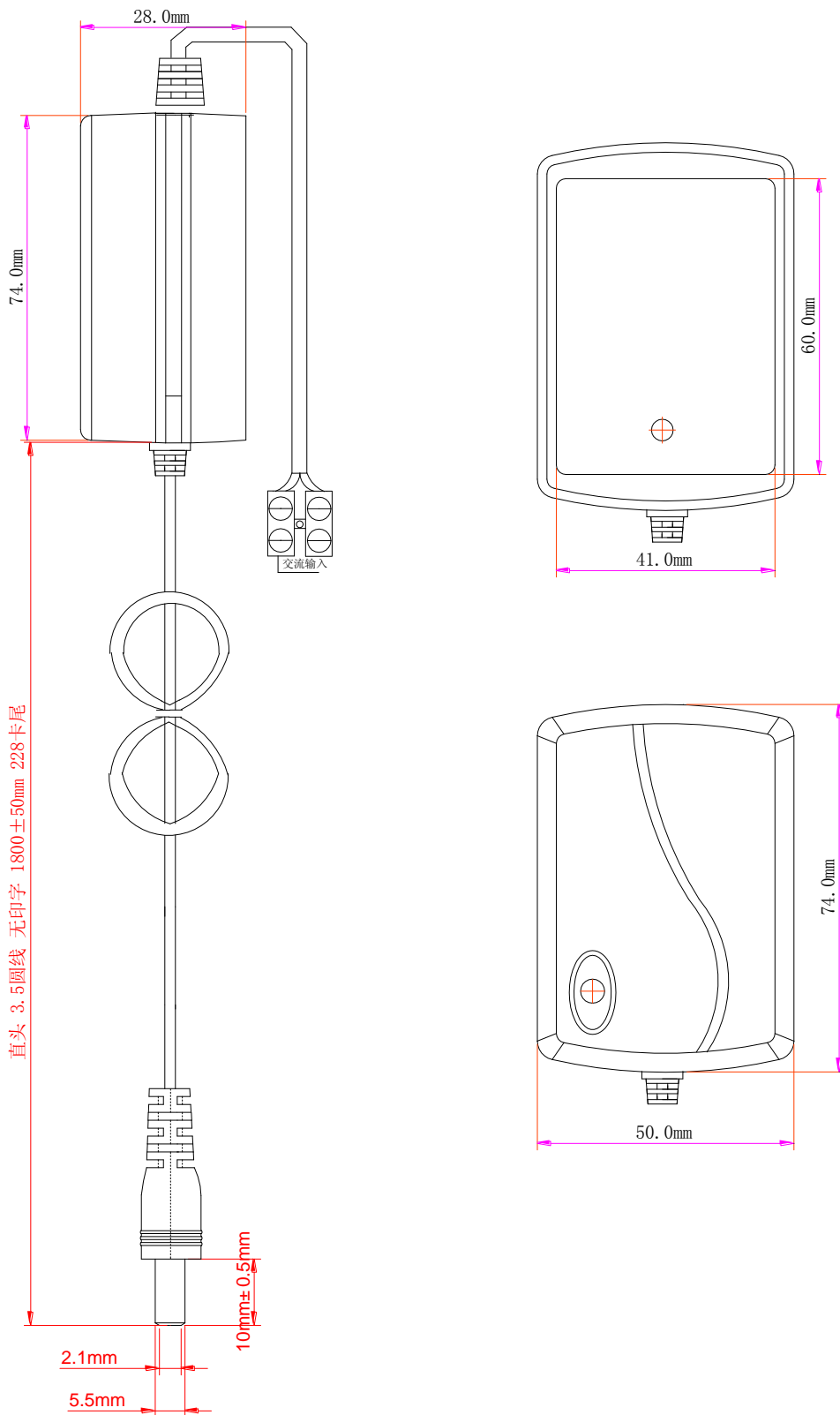
绝缘等级

Consumes-----<1.5W

空载损耗

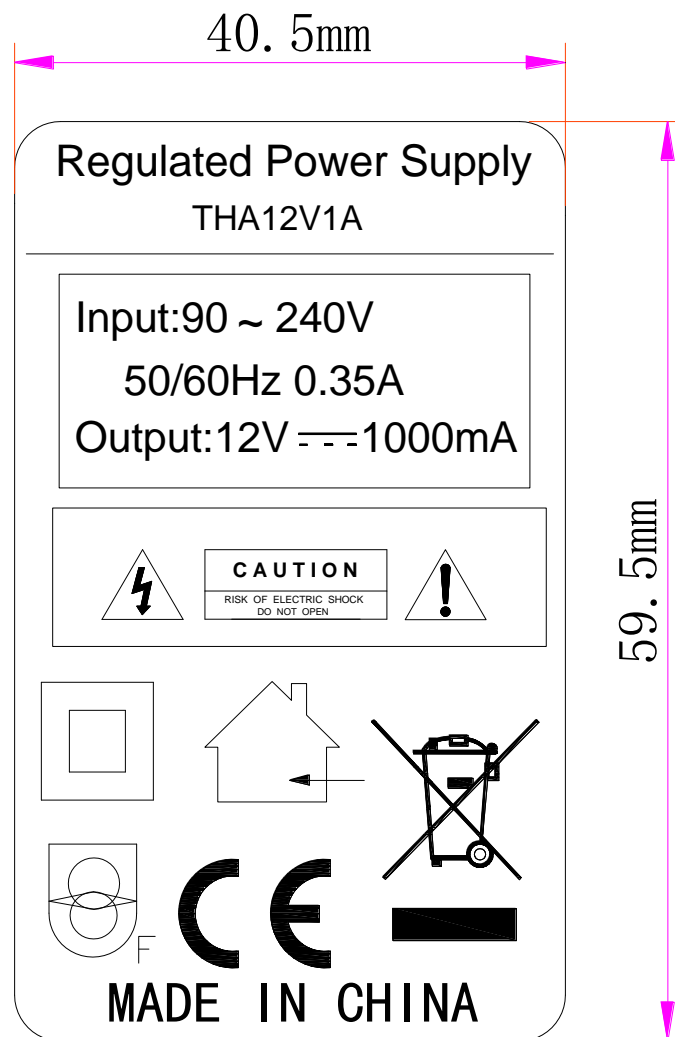
* Ripple & Noise Test: Add 0.1uF/50V ceramic capacitor with a 47uF/50V E.capacitor in parallel across the output terminal. And Measured with 20MHz Bandwidth Oscilloscope.

14. OUTLOOK DRAWING 外观图



AC 线 : 2PIN 螺丝端子 H03VVH2-F 2*0.75mm² 0.25 米 228 卡尾

15. LABEL 铭牌贴纸



注：

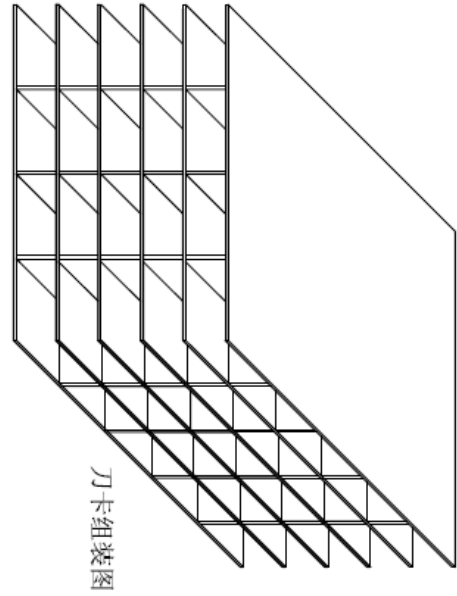
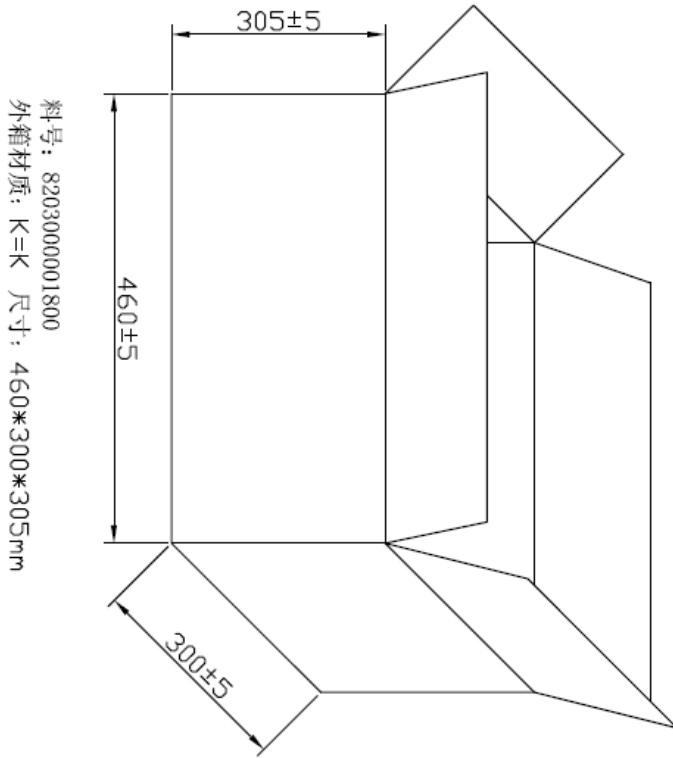
1. 以上“回”“CE”标志，最低高度为 5MM。
2. “WEEE”垃圾桶标志，最低高度为 6.3MM。

备注/Note:

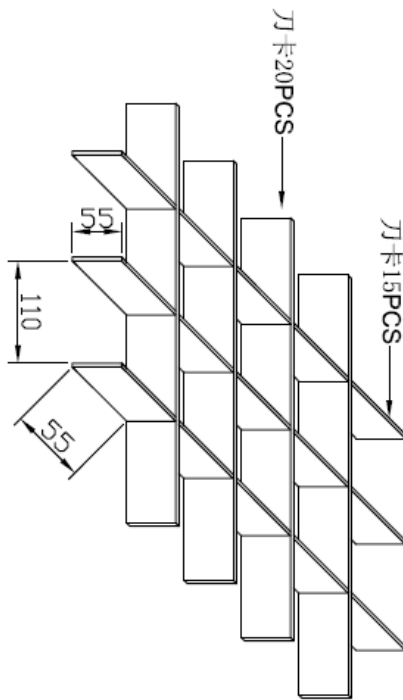
1. 材料/Material：PVC，环保/ ROHS.
2. 印刷/Printing：黑底白字/ black ground White character
3. 尺寸/Size: (W)59.50+/-0.2mm (H)40.50+/-0.2mm
4. 厚度/Thickness: 0.15mm

16 包装图示PACKING

料号: 6630208000000



料号: 8204000001000
隔板材质: K3K 尺寸: 450*290*3mm



刀卡组及尺寸

料号: 8205000001500
3刀卡材质: K3K 尺寸: 449*55*3mm
料号: 8205000001600
4刀卡材质: K3K 尺寸: 287*55*3mm

NOTE:

- 1.共5层,每层装20PCS,每箱100PCS
- 2.外箱标示尺寸为内部尺寸
- 3.产品用PE袋包好,平放於井格内
- 4.每层放平卡